

#WeStandOnGuard

AS LOW AS
\$100.00
 (D)CAD

**3 STOCK SIZES,
 2 EASY FORMATS**

MADE IN NORTH AMERICA



Stabilizing Kit
 Temporarily
 Secure Shield
 to Surface.

PRICING

Size	Format	USD Pricing	SKU
21"x30"	Horizontal / Vertical	\$100.00 (D) CAD/unit	1502 / 1501
24"x36"	Horizontal / Vertical	\$137.00 (D) CAD/unit	1504 / 1503
32"x47"	Horizontal only	\$185.00 (D) CAD/unit	1505
Minimum Order	Small/Medium Qty 10, Large Qty 5. Less then minimum charge \$30/unit		

Volume Order >2,000 units: Please Call

Note: All shield products have a size tolerance of +/- 0.5". If there is a critical dimension required, please advise our team at the time of order

Payment Terms: 50% deposit, balance COD

Shipping Details

Canada FOB Toronto | USA FOB Buffalo

Lead time is estimated to be 2 weeks from the time of deposit

Call Now

+1-866-766 0509

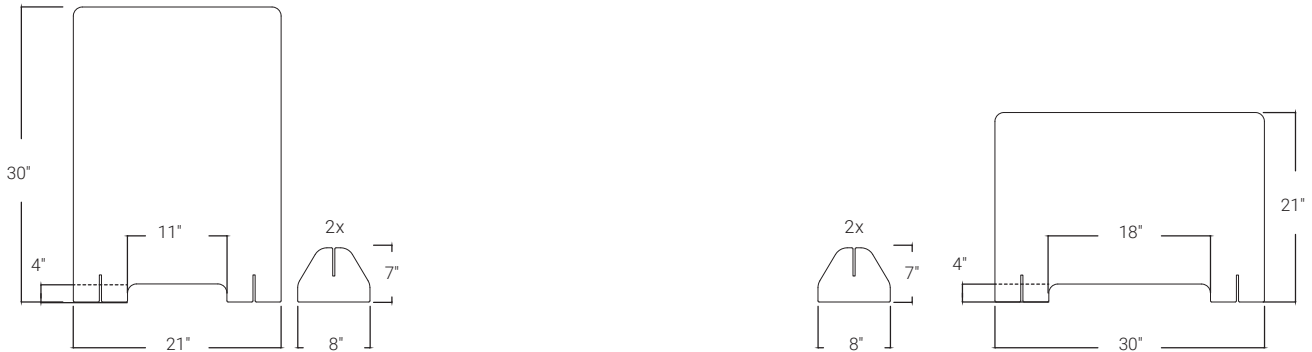
SEND ORDERS TO:

OnGuard@omnifynow.com

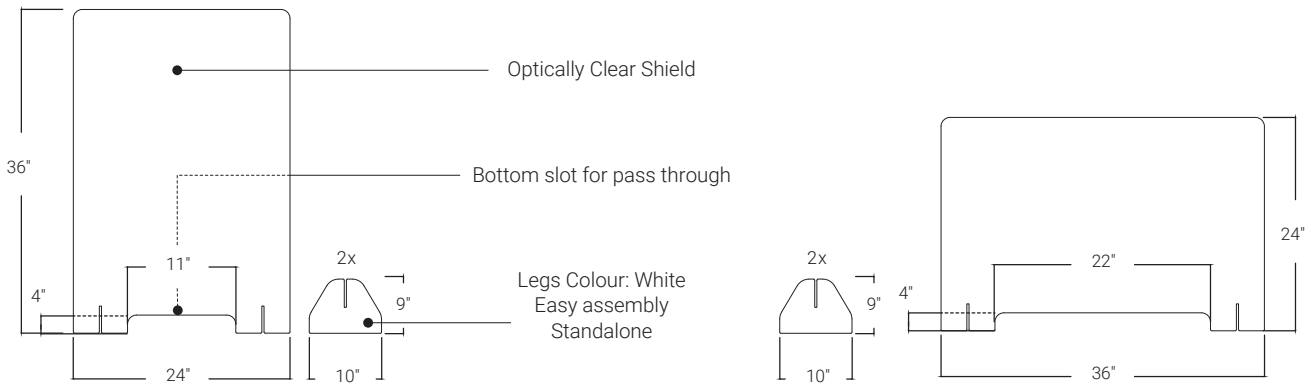
#WeStandOnGuard

SIZE OPTIONS

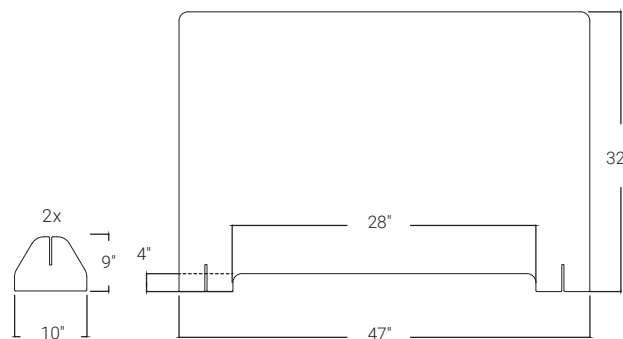
SMALL



MEDIUM

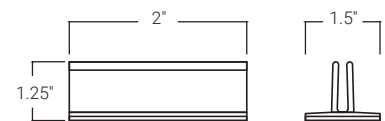


LARGE



STABILIZING KIT

Temporarily Secure Shield to Surface. Includes 4 pcs



CAUTION: When worn or installed properly, the OnGuard Counter Shield are designed to provide protection against splash, splatter and spray of fluid-borne pathogens, but cannot eliminate the risk of contracting infection, illness or disease. The OnGuard Counter Shield are compatible with a variety of protective eyewear and respiratory protection.