



# Counter Shield

#WeStandOnGuard

AS LOW AS  
**\$72.00**  
(D)USD

**3 STOCK SIZES,  
2 EASY FORMATS**

**MADE IN NORTH AMERICA**



**Stabilizing Kit**  
Temporarily  
Secure Shield  
to Surface.

## PRICING

Size	Format	USD Pricing	SKU
21"x30"	Horizontal / Vertical	<b>\$72.00 (D) USD/unit</b>	1502 / 1501
24"x36"	Horizontal / Vertical	<b>\$98.00 (D) USD/unit</b>	1504 / 1503
32"x47"	Horizontal only	<b>\$132.00 (D) USD/unit</b>	1505
<b>Minimum Order</b>	Small/Medium Qty 10, Large Qty 5. Less then minimum charge \$30/unit		

**Volume Order >2,000 units:** Please Call

**Note:** All shield products have a size tolerance of +/- 0.5". If there is a critical dimension required, please advise our team at the time of order

**Payment Terms:** 50% deposit, balance COD

### Shipping Details

Canada FOB Toronto | USA FOB Buffalo

Lead time is estimated to be 2 weeks from the time of deposit

## Call Now

+1-866-766 0509

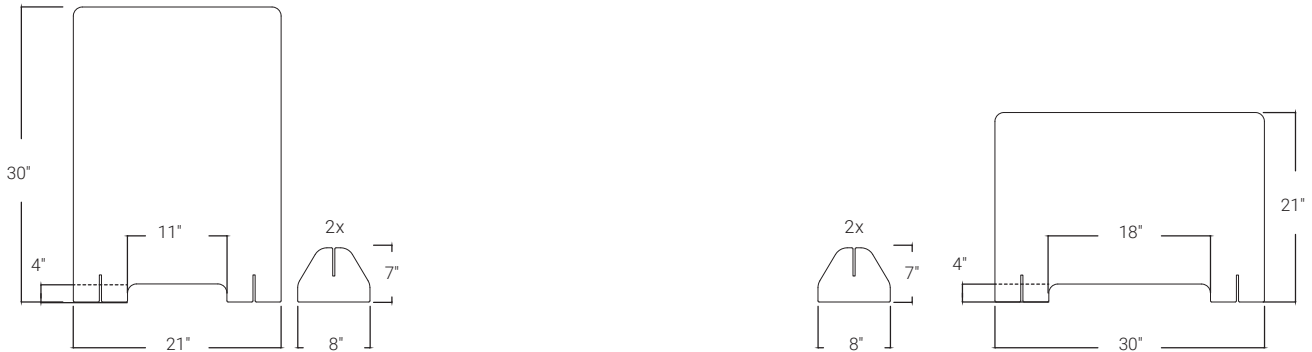
**SEND ORDERS TO:**

[OnGuard@omnifynow.com](mailto:OnGuard@omnifynow.com)

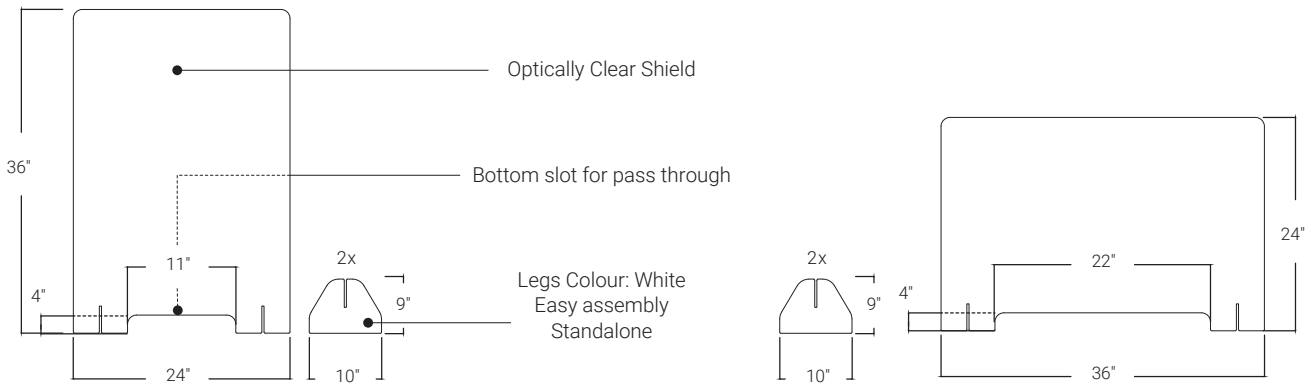
#WeStandOnGuard

## SIZE OPTIONS

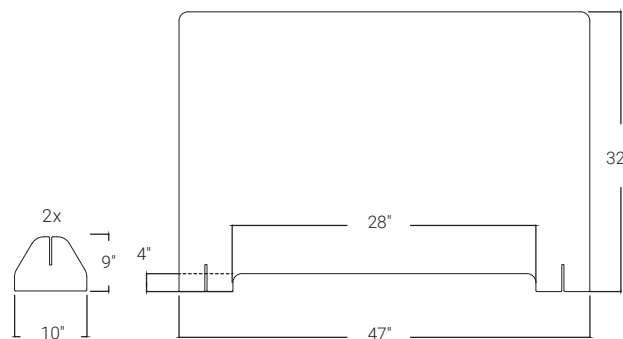
### SMALL



### MEDIUM

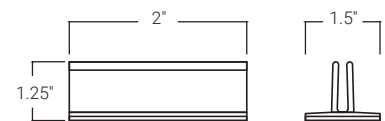


### LARGE



#### STABILIZING KIT

Temporarily Secure Shield to Surface. Includes 4 pcs



**CAUTION:** When worn or installed properly, the OnGuard Counter Shield are designed to provide protection against splash, splatter and spray of fluid-borne pathogens, but cannot eliminate the risk of contracting infection, illness or disease. The OnGuard Counter Shield are compatible with a variety of protective eyewear and respiratory protection.